

BLANCO
GERMANY

● BLANCOFILTRA TAPS

Fresh, filtered drinking water on demand

NEW



www.blanco.co.uk

The most convenient, healthy solution is fresh filtered



Water plays a huge part in our total wellbeing. On average 70-80% of our body is made up of water which requires approximately 1.2 litres of daily fluid intake to maintain the balance. In recent years there has been a greater awareness of the life enhancing benefits of combining healthy eating and exercise with drinking between six and eight glasses of water per day.

Most will agree that tap water is perfectly safe. The main objections to drinking regular tap water is the taste, smell and sometimes the appearance.

This does not mean that the regular tap water is not drinkable. The comments are more likely to be associated with the continuous purification treatment carried out by regional water authorities. Water treatment using chlorine to kill harmful bacteria is a good example.

The diverse levels of treatment at the water provider can create a noticeable effect on both the taste and smell of the water after treatment. The water may not always taste good, and can sometimes seem cloudy, as a result, many are unwilling to drink tap water – hence the growing demand for an alternative.

So what are the choices?

The most popular is bottled water. It is estimated that over 1.5 billion litres are consumed in the UK from plastic bottles made of Polyethylene terephthalate (P.E.T).

This represents a huge cost to the environment in the use of energy, transportation and the inconvenience of using and storing bottled water. At an average cost of 95 pence per litre bottle of water is approximately the equivalent in cost to 1 litre of petrol.

Sadly research also indicates that only 10% of plastic bottles are recycled, most must finish their life in landfill where it is calculated that it will take them around 450 years to break down.

The next most popular method is the filter jug. This method represents little threat to the environment and is less costly than bottled water but filter jugs require constant replenishment and filter slowly so are not always convenient for family demand or able to immediately supply sufficient water for cooking etc.

and environmentally friendly tap water.

Enjoy fresh filtered tap water?

The BLANCO FILTRA FRESH and BLANCO FILTRA FLOW taps are specially designed to supply regular hot and cold water and filtered water from the same tap. We would all agree that fresh is best. Both taps provide fresh filtered top quality drinking water on demand from a separate small control on the base of the tap. The filtered water is completely isolated from the regular hot and cold water supply.

The under sink filter cartridge reduces potentially undesirable elements such as chlorine, pesticides, solvents, fluoride and nitrates as well as removing sediment and dirt. Whilst the filter is effective against a wide range of problems, minerals essential to good health are retained. The filter has been independently tested and where unwelcome agents are present in the water supply a significant reduction has been recorded (see page 7). The filtered water conforms in all respects to the statutory requirements specified by E.C. Directives on drinking water quality and the world Health Organisation Standard.

The filtered water also improves the taste of fruit drinks, tea and coffee whilst food cooked in filtered water tastes better too.



Flow adjustment screw.

Energy and water saving

The BlancoFiltra Fresh and the BlancoFiltra Flow benefit from the latest ceramic disc control of flow and temperature adjustment. A further refinement is the introduction of two mechanical methods to regulate the volume of water available and the ability to restrict the maximum temperature. Both taps are easily adjusted by following the instructions provided. Simply adjust the flow limiting screw (left) or re-align the locking ring to set your maximum desired temperature.

BLANCOFILTRA TAPS

Filtered top quality drinking water

BLANCOFILTRA FRESH

MODEL BM4300



- A choice of two stylish models featuring the ultra modern pin handle a more contemporary loop lever.
- Lever action provides the convenience of single handed control of the regular water, hot and cold.
- Both the regular and filtered water is controlled by ceramic disc valves to ensure maximum response with a minimum handle movement.
- A single control at the base of the tap releases the fresh filtered water. The supply is completely isolated from the regular hot and cold water supply ensuring that the high quality of the freshly filtered water is maintained at all times.
- The heavy metal filter cartridge is designed to dispense a large volume of filtered fresh water, up to 6000 litres (before replacing) – at an average cost of less than 1p a litre.
- Both taps require a standard 35mm tap hole and can be installed in the same way as a standard monobloc tap, either as part of a new kitchen or retro fitted. No additional plumbing services are required.
- Available in tough hard chrome or brushed stainless steel finish

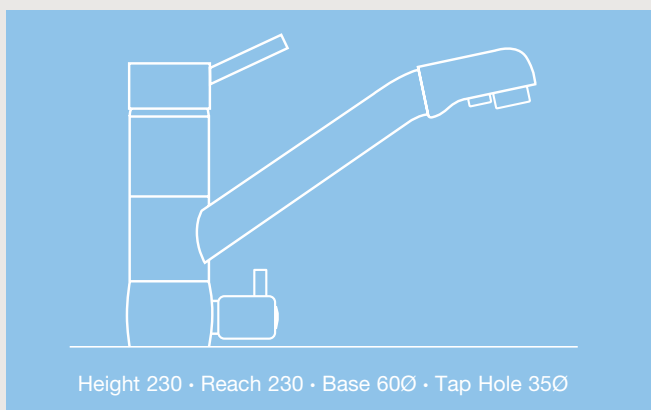
Order code

BlancoFiltr Fresh

BlancoFiltr Flow

BM/4300/CH OR SS

BM/4400 CH OR SS



Height 230 • Reach 230 • Base 60Ø • Tap Hole 35Ø

on demand.

BLANCOFILTRA FLOW MODEL BM4400

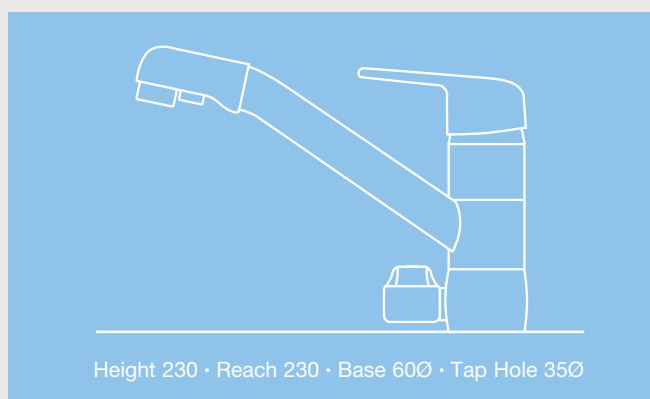
NEW



- The BLANCO Filtra taps offer one of the most efficient home filter systems available. By actively processing up to 6000 litres of filtered water before replacing the filter, the BLANCO system delivers far more than most other systems on the market. With annual running costs of approximately £70 (exc the tap) the cost per litre of filtered drinking water is less than 1p per litre.
- The unique BLANCO Filtra system is also made to provide a large volume of freshly filtered water (recommended supply conditions permitting) as we believe that fresh, filtered water on demand should not just be regarded as a luxury for drinking purposes only.

Regular/Filtered water flow rates. L/Min

	@ 0.5 BAR	@ 1.0 BAR	@ 2.0 BAR
HOT	4.2	9.0	11.5
COLD	3.7	7.2	10.5
FILTERED	2.1	4.2	5.4



BLANCOFILTRA BABY

MODEL BM4500

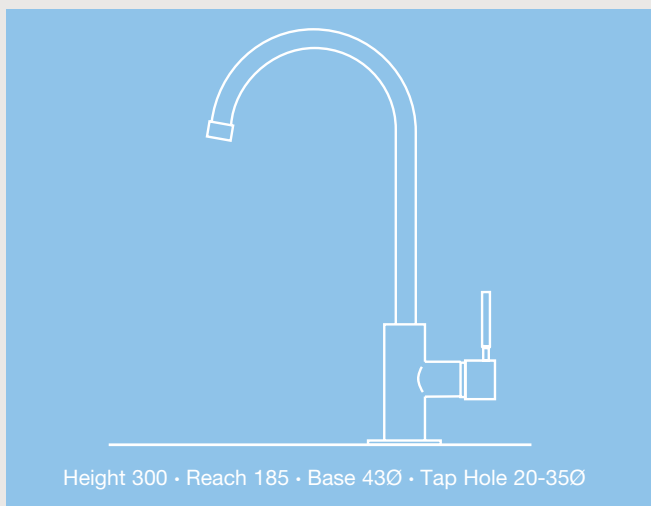
NEW

- The BLANCOFiltra mini monobloc tap will provide all the benefits of fresh filtered water and is designed to be a perfect partner to a new or existing mixer tap.
- One unique feature exclusive to the BlancoFiltra Baby is the choice of solid 18/8 stainless steel, A.I.S.I 304 for the body and spout. Stainless steel is a 'noble' metal, this ensures that the structure of the material contains no trace elements like lead or chromium whilst providing maximum endurance and hygiene.
- The minimalist innovative sleek tubular design has been created to make a lasting statement in both looks and practical benefits.
- The BLANCOFiltra Baby uses the same heavy metal filter system as the BLANCO Filtra mixer models, which delivers up to 6000 litres of water at a cost of less than 1p a litre (exc the cost of the tap).
- All that is required is a single hole 20-35mmØ in the sink or counter top to accommodate the tap.
- The tap is supplied with a special supply valve that can be used to couple the filter supply to a convenient 15mm mains cold water supply.
- Available only in solid 18/10 stainless steel.
Order code BLANCOFiltra Baby BM/4500/SS



Regular/Filtered water flow rates. L/Min

	@ 0.5 BAR	@ 1.0 BAR	@ 2.0 BAR
FILTERED	3.12	4.26	6.18



Improves your water quality without costing the earth

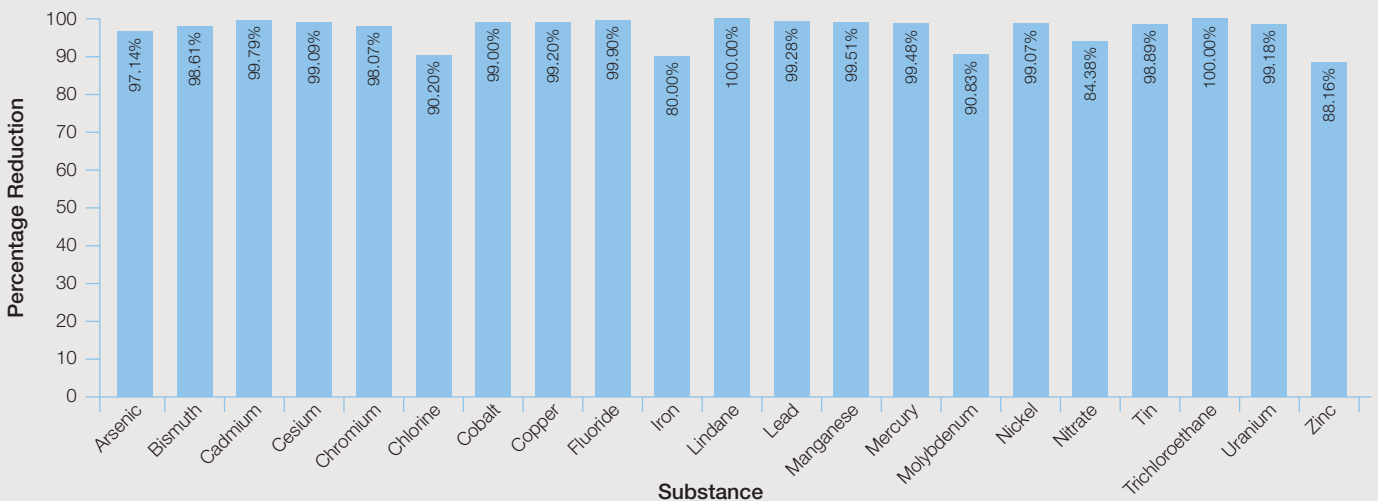
All the models from the BLANCOFiltra tap range use the same approved heavy metal filter system, developed especially for use on water systems in the UK.

The blue housing containing the filter is hidden away under the sink. The cartridge filters regular tap water dispensing approximately 6000 litres of high quality treated drinking water (around 6 months supply for the average family) before requiring replacing.

With the BLANCO Filtra system you only dispose of the used filter (not the housing) which helps you to minimise on waste, and protect the environment.

The filter system conforms to BS EN12915 when fitted to the mains supply. All the filter components conform to BS 6920 and carries W.R.A.S. approval. The filtration media has been tested in accordance with BS EN12902 and conforms to BS EN12915. The filter is genuinely bacteriostatic. Even at the end of its life, tests showed no increase in bacteria. The filter has a maximum working pressure of 5 bar (90 p.s.i.).

In independent tests the filter element has been demonstrated to be effective against an extensive range of possible contaminants such as heavy metals including lead and aluminium, chlorine which can give the water an unpleasant taste and odour, chemicals including herbicides, pesticides, fluoride and in most instances nitrates.



BLANCO U.K.: BLANCO exports worldwide.

The Filtra Tap range only represents a small part of our large selection of sinks, taps and kitchen accessories. If you require details on our complete range of kitchen products, please contact your local Blanco dealer, or telephone direct for details.

Please note that colour references are only as accurate as the printing process will allow.

E & OE. Due to a policy of continual product improvement, BLANCO reserves the right to alter specifications and prices without prior notice. ©BLANCO Limited (within the UK and Republic of Ireland on behalf of BLANCO GmbH & Co KG) 2007. All rights reserved. Without limiting the rights reserved under copyright reserved above, no part of this publication may be reproduced, stored in or introduced into a retrieval system, or transmitted in any form or by any means (electronic, mechanical, photocopying, recording or otherwise), without the prior written express permission of the copyright owner. PAR/02-08/12

Photography by Lux Photo Digital, London.

Dealer

BLANCO LIMITED
Oxgate Lane, London NW2 7JN
Tel: 020 8450 9100 Fax: 020 8208 0095
www.blanco.co.uk

BLANCO
GERMANY